

INSTALLATION GUIDE

image 1: installing the social WiFi hotspot

1. Unpack the power adapter and the social WiFi hotspot.
2. Mount the antenna by screwing it on the antenna connector.
3. Search for a central place with a power socket and an internet cable (UTP) with access to the internet.
4. Connect the WiFi hotspot to your network. Do this by connecting the internet cable (UTP) to one of the two yellow ethernet ports.
5. Connect the power adapter to the social WiFi hotspot. Then plug it into the power socket.
6. After a few seconds the LEDs will turn on and the hotspot will start automatically.

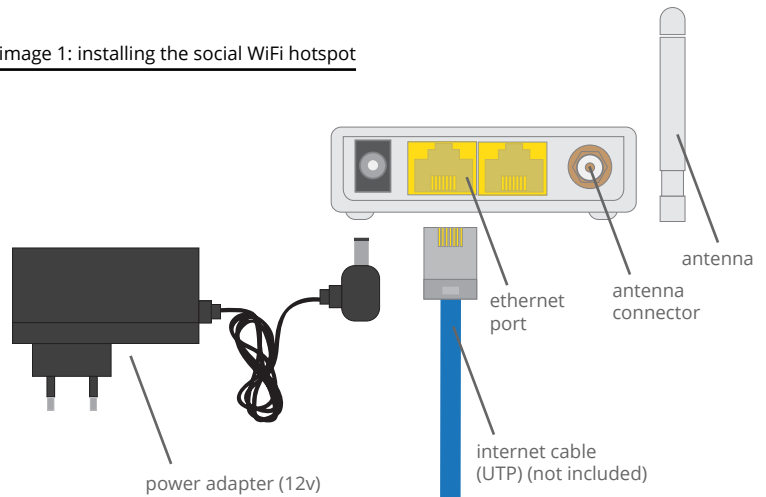
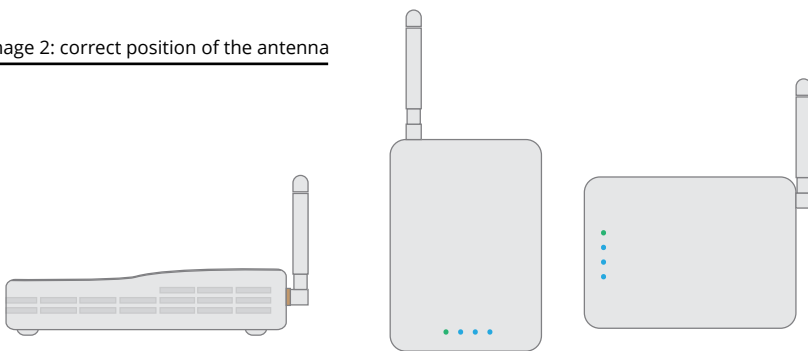
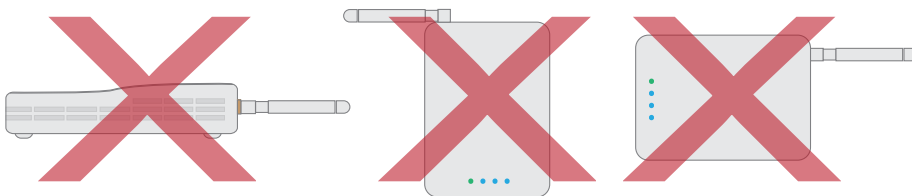


image 2: correct position of the antenna



7. Mount the social WiFi hotspot or store it securely. On the back side you will find two holes to mount it on the wall or ceiling.
8. Make sure the antenna is set vertical as shown on image 2. This is essential for an optimal WiFi range.
9. Check its range and check in on Facebook with the social WiFi hotspot.

image 3: incorrect position of the antenna



ANY QUESTIONS?

Contact us by email info@lincr.com or visit our page with frequently asked questions on www.lincr.com.

LINCR SOCIAL WIFI

email: info@lincr.com - website: www.lincr.com

INSTALLATION GUIDE

image 1: installing the social WiFi hotspot

1. Unpack the power adapter and the social WiFi hotspot.
2. Search for a central place with a power socket and an internet cable (UTP) with access to the internet.
3. Connect the WiFi hotspot to your network. Do this by connecting the internet cable (UTP) to the ethernet port.
4. Connect the power adapter to the social WiFi hotspot. Then plug it into the power socket.
5. After a few seconds the LEDs will turn on and the hotspot will start automatically.

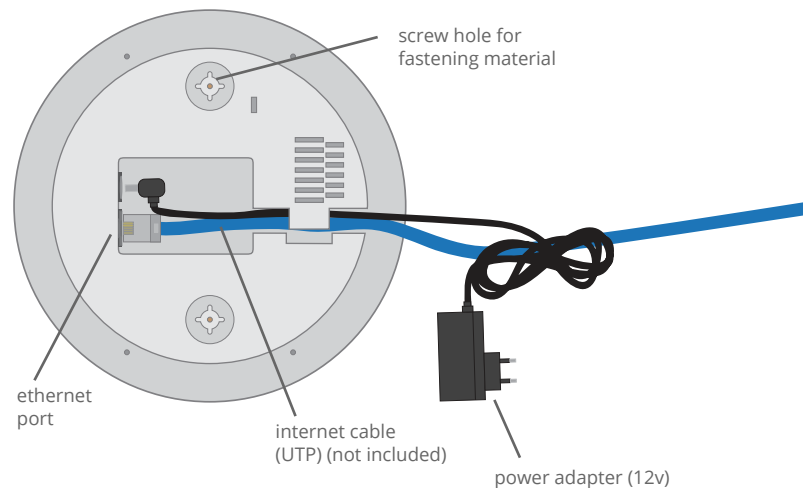
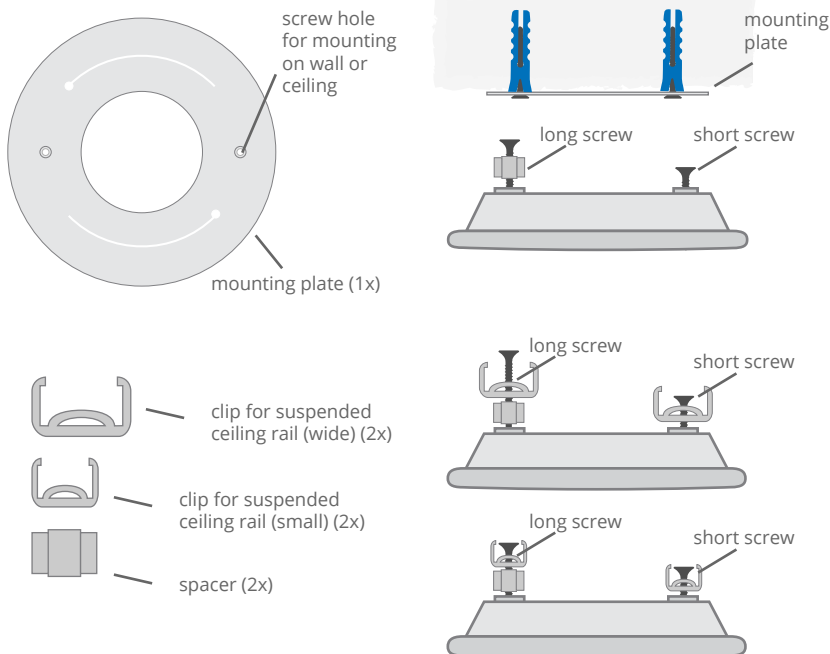


image 2: installing fastening material



6. Mount the social WiFi hotspot on a wall or (suspended) ceiling or store it securely. On the back side you will find two screw holes to mount fastening material.

A. Mount the social WiFi hotspot on wall or ceiling.

- A1. Screw the screws on to the social WiFi hotspot. Use the spacer to create extra space.
- A2. Screw the mounting plate on to the wall or ceiling.
- A3. Turn the social WiFi hotspot on to the mounting plate by turning it anti clockwise.

B. Mount the social WiFi hotspot on the rail of a suspended ceiling.

- B1. Look what clip will fit on the rail of your suspended ceiling. Screw the clip on the social WiFi hotspot. Use the spacer to create extra space.
- B2. Click the social WiFi hotspot on the rail.

ANY QUESTIONS?

Contact us by email info@linc.com or visit our page with frequently asked questions on www.linc.com.

LINCR SOCIAL WIFI

email: info@linc.com - website: www.linc.com